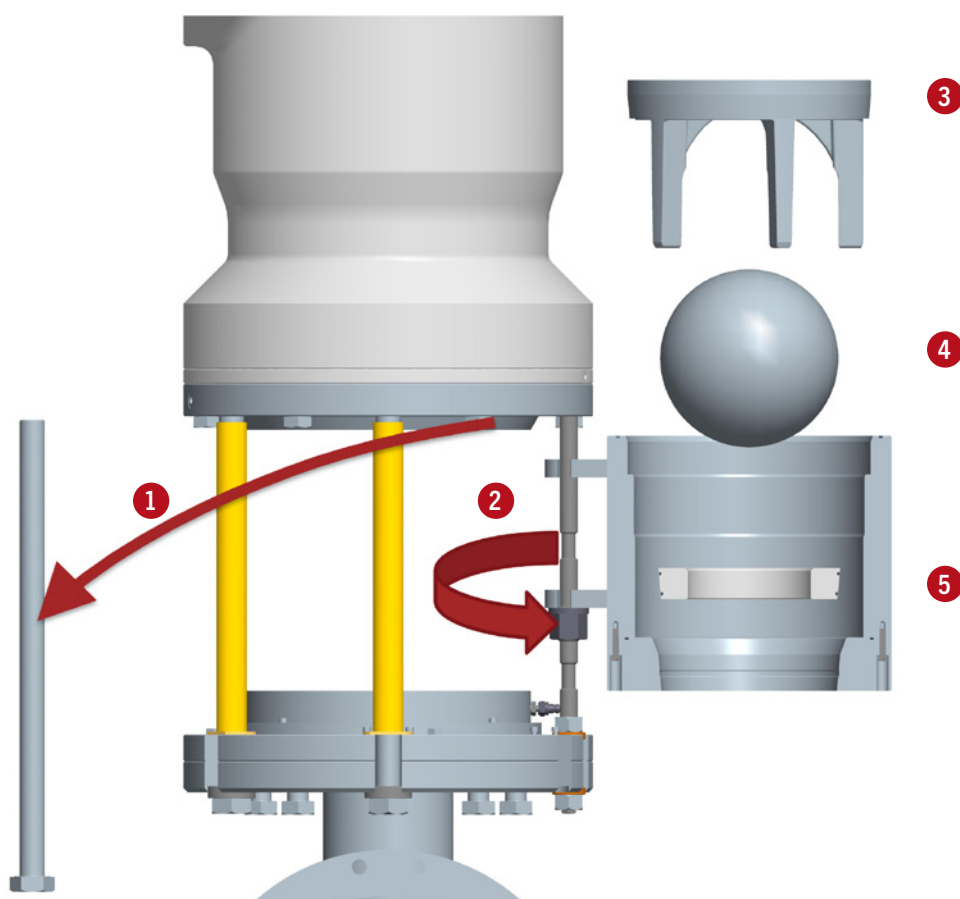


FELUWA TopEntry Quick Change Valves (TEQC)

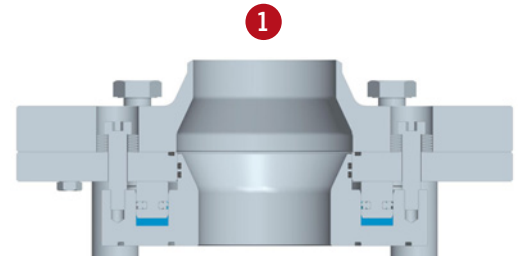
Easy Valve Repair



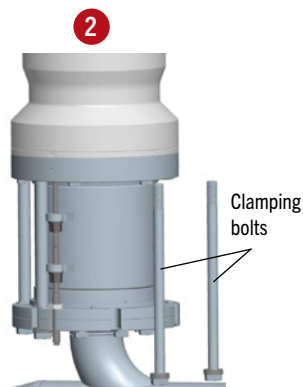
TopEntry Valve Design with Quick Change System

Even valves with very long design lives have to be replaced some day, and such replacement should be easy and fast. For this purpose, FELUWA has developed a Quick Change System. It maintains the typical linear flow of FELUWA valves and allows for safe and easy replacement of valve trims within minimum downtime.

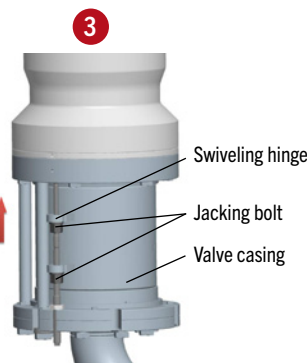
Valve assemblies are subject to hydraulic clamping and can be easily swiveled out for replacement of valve ball, guide and seat. Each part can be removed from the top. Changing times are less than 30 minutes, even for bigger valves (max. ball diameter = 300 mm).



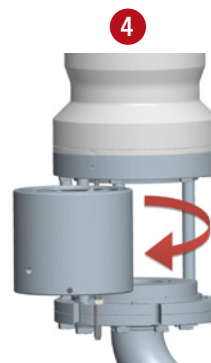
1
Connect a hydraulic hand pump to the clamping flange.
Build up pressure and release clamping bolts.
Release pressure, valve is now unclamped.



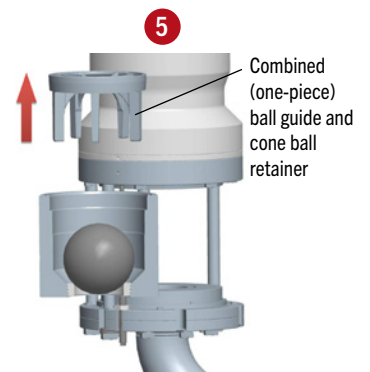
2
Release clamping bolts.
Remove clamping bolts.



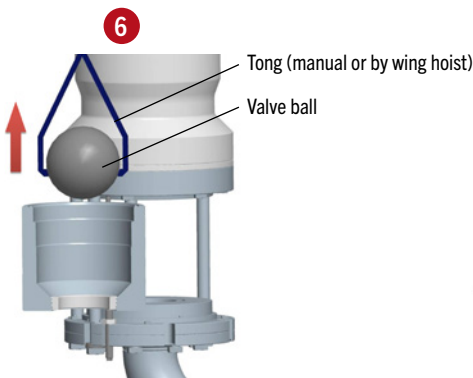
3
Lift the valve casing
by means of jacking bolts



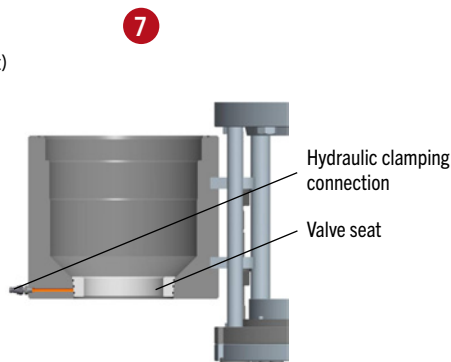
4
Swivel out the valve.



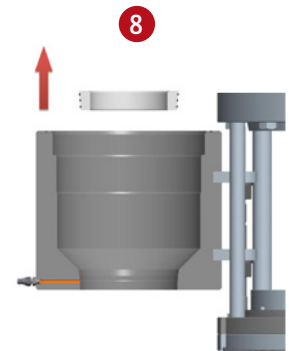
5
Remove combined one-piece ball guide
and ball retainer



6
Take off valve ball
by means of a tong



7
Loosen valve seat hydraulically
by means of hydraulic pump



8
Remove valve seat